

Features

1. I_n 125A ;
Intermittent 125A load.
2. I_{th} 125A ;
It has two sets of normally open and two sets of normally closed contacts.
3. P_{th} 24W;
Coil power consumption $\leq 24W$.
4. I_{th} 100M (1000VDC) ;
The insulation resistance reaches 100M Ω (1000VDC), and the withstand voltage between the contacts and the coil is 3.5kV.
5. IP :IP67;
IP protection level: IP67.
6. IEC 60664-1 GB/T14048.1 GB/T14048.4 ;
Compliant with IEC 60664-1, GB/T14048.1 and GB/T14048.4 requirements.
7. RoHS 2015/863/EU REACH 1907/2006/EC ;
Compliant with RoHS (2015/863/EC) and REACH (1907/2006/EC) requirements.
8. CE;
Safety certificate: CE.

at23
Performance Parameters at23

Contact Arrangement	2K (2NO), 2B (2NC)	Pickup Voltage	70% U _s
Contact Resistance	30m Ω	Dropout Voltage	5% -40% U _s
Contact Voltage Drop	80mV(at 50A)	Contact Bounce Period	5ms
Overload Current	4I _e , 1s	Pickup Time	30ms
Temperature	-40 ~85	Dropout Time	30ms
Load Terminal	M5 M5 Thread	Dielectric Strength	Between Main Contacts 50Hz/60Hz 1500VAC/1min
Vibration	3.5g, 10~200Hz, 1/2 3.5g, 10~200Hz, 1/2 Sine Wave (Power On)		Between Main Contacts and Coil 50Hz/60Hz 1500VAC/1min
Relative Humidity	5 ~95 RH	Insulation Resistance	Initial State 100M Ω 1min
Dimension	74mm*41mm*59mm		After Electrical Life 50M Ω 1min
Operating Duty	Intermittent	Shock	Stability 20g 20g (Power On)
Electrical Durability with Load (Resistive)	20000 \hat{O} 20,000 Times		Strength 50g
Load Wiring Torque	2-2.5N.m	Mechanical Durability	100000 \hat{O} 100,000 Times



365 # \$' ; \$L # \$ B 5B F" #

Customer Special Requirements

5B " z j (z% / fi
CP: Coil 0.8*6.3 Spade Terminal Connection (Not Marked by Default)

B
P: Horizontal Installation on The Side (Not Marked by Default)

\$ H \$ & H % (H & * H (" H) \$ H * " H / fi
12V, 24V, 36V, 48V, 60V, 72V, 80V (Ignore if Not Applicable)

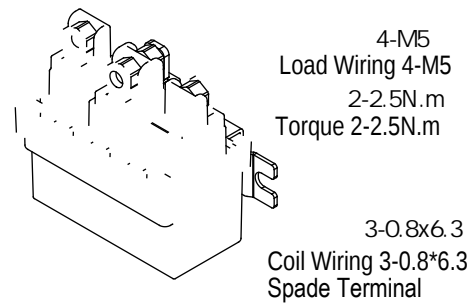
\$L,
2Z: Two Sets of Changeover Contacts (Not Marked by Default)

I: Intermittent Duty Single Coil

\$'
125: Rated Load Current

365,
ADC: Two Sets of Changeover Contacts Product Series Code

ADC125I



ADC125I
ADC125I Without Bracket

4-M5
Load Wiring 4-M5
2-2.5N.m
Torque 2-2.5N.m

3-0.8x6.3
Coil Wiring 3-0.8*6.3
Spade Terminal

Usage Cautions

1.

This document is only for customer selection reference, AOKAI has tried the best to ensure the accuracy of the information in this document. Product specifications and parameters may be changed due to product improvement etc., they may be inconsistent because of not updated in time. For the specific parameters and performance of each product, please refer to the samples provided by AOKAI and the corresponding signed and controlled specification.

2.

Regarding the application of this product, please select the matching product according to your specific use conditions and
consis i Ç th `] matb AObc . AObc]
of m - Σ