



W i

1. 300A 400A 5min;
2. ;
3. 24W;
Coil power consumption \hat{O} 24W.
4. 100M (1000VDC) 2kV;
The insulation resistance reaches 100M (1000VDC), and the withstand voltage between the contacts and the coil is 2kV.
5. IP :IP67;
6. IEC 60664-1 GB/T14048.1 GB/T14048.4 ;
7. RoHS 2015/863/EU REACH 1907/2006/EC ;
Compliant with RoHS (2015/863/EC) and REACH (1907/2006/EC) requirements.
8. CE RoHS

F e c Wd FWc i at23

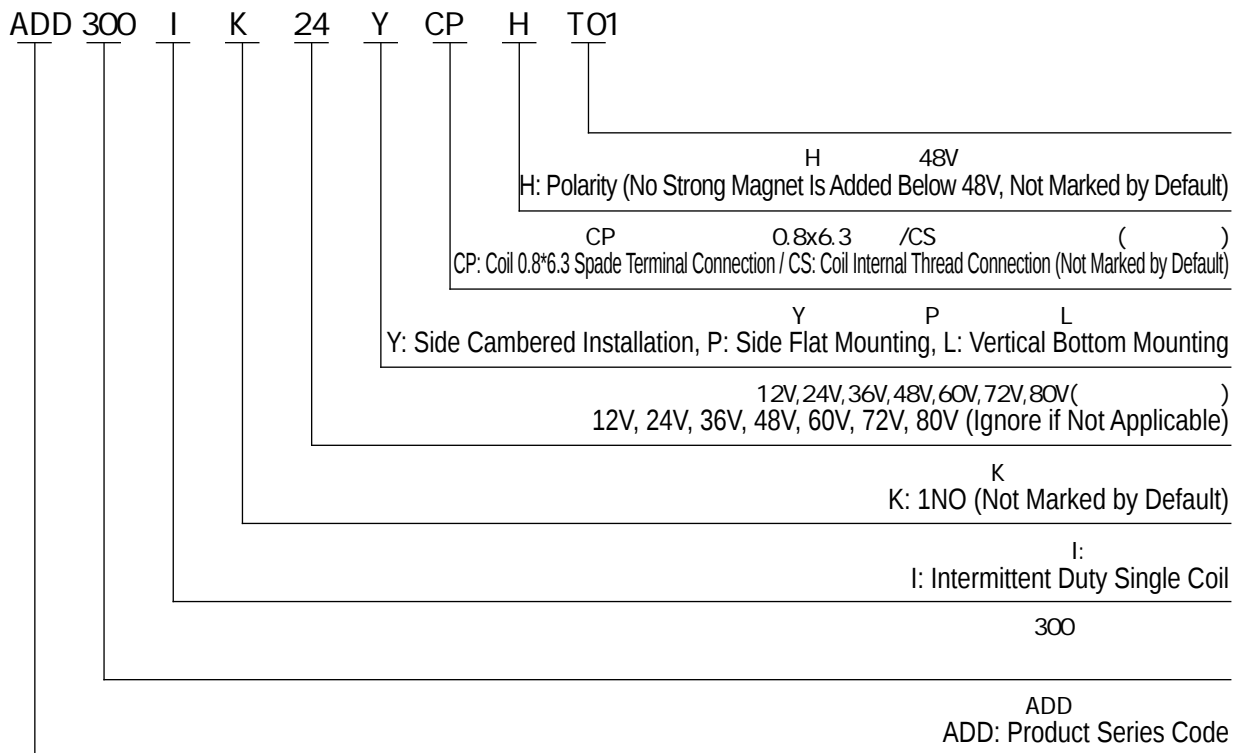
	1K (1NO)	Pickup Voltage	70% Us
	5m	Dropout Voltage	5% -40% Us
Contact Voltage Drop	80mV (at 150A)		5ms
	7le, 1s		30ms
	-40 ~55	Dropout Time	10ms
	M8	Dielectric Strength	50Hz/60Hz 1500VAC/1min
Vibration	3.5g, 10~200Hz, 1/2 3.5g, 10~200Hz, 1/2 Sine Wave (Power On)		50Hz/60Hz 1500VAC/1min
	5 ~95 RH		100M 1min
Dimension	71x71x68.5mm		50M 1min
Operating Duty			20g 20g (Power On)
Electrical Durability with Load (Resistive)	100000 (12V/300A) \hat{O} 100,000 Times(12V/300A)		50g
Load Wiring Torque	8-10N.m	Mechanical Durability	500000 \hat{O} 500,000 Times
/	/	Coil Wiring Torque	2-3N.m

ADD300I

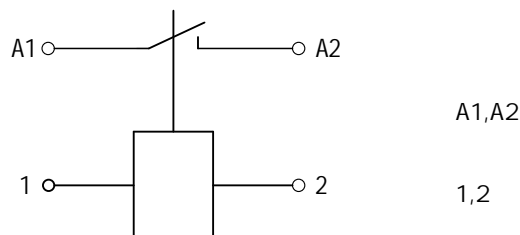
e F W W t i

Coil Voltage	Pull-In Voltage	Drop-Out Voltage		
12V	70% U _s	5% -40% U _s	6 ± 10%	24W± 10%
24V	70% U _s	5% -40% U _s	24 ± 10%	24W± 10%
36V	70% U _s	5% -40% U _s	54 ± 10%	24W± 10%
48V	70% U _s	5% -40% U _s	96 ± 10%	24W± 10%
60V	70% U _s	5% -40% U _s	150 ± 10%	24W± 10%
72V	70% U _s	5% -40% U _s	216 ± 10%	24W± 10%

C e Z e Z d

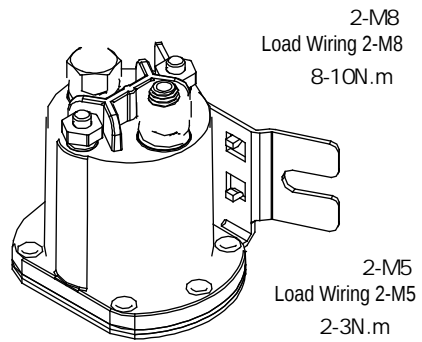
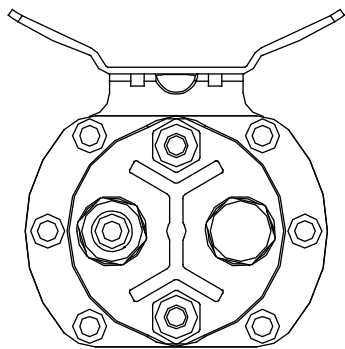
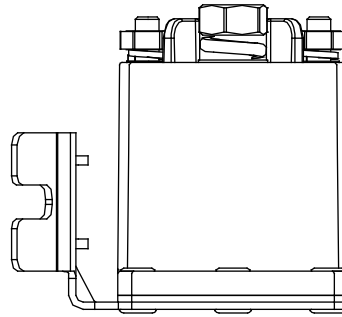
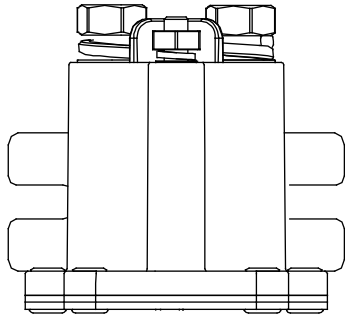


M d W W t



ADD300I
ADD300I Wiring Diagram

ADD3001Y



ADD3001P

2-M8
Load Wiring 2-M8
8-10N.m

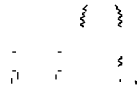
2-M5
Load Wiring 2-M5
2-3N.m

ADD300IL

2-M8
Load Wiring 2-M8
8-10N.m

2-M5
Load Wiring 2-M5
2-3N.m

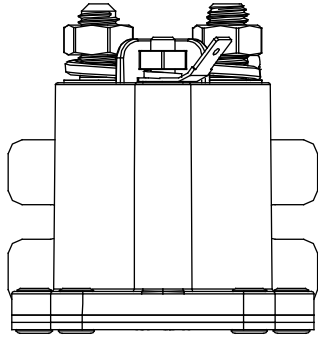
ADD300IYCP



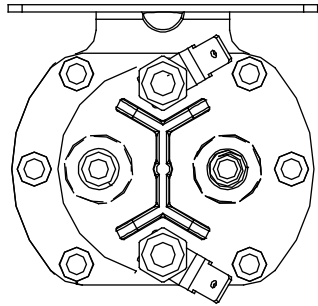
2-M8
Load Wiring 2-M8
8-10N.m

T=0.8x6.3
Coil Wiring T=0.8*6.3

ADD300IPCP



2-M8
Load Wiring 2-M8
8-10N.m



T=0.8x6.3
Coil Wiring T=0.8*6.3

ADD300ILCP

2-M8
Load Wiring 2-M8
8-10N.m

T=0.8x6.3
Coil Wiring T=0.8*6.3

1.

2.

3.

When installing and using this product, regardless of wiring or fixed installation, it is required to use anti-loose spring washers.

4.

5.

Do not install the contactor in places with strong magnetic fields (such as transformers or strong magnets), or close to objects

6.

30cm

It is forbidden to use the product that have been dropped from a high place (height \geq 30cm).

7.

8.

It is forbidden to use the product beyond the rated electrical life. When the rated electrical life is reached, although the product

9.

10.

AOKAI only does the resistive electrical life verification and quality assurance. When the product is used in an environment

11.

12.