

Features

Intermittent 500A load.

It has one set of normally open contacts.

IP protection level: IP50.

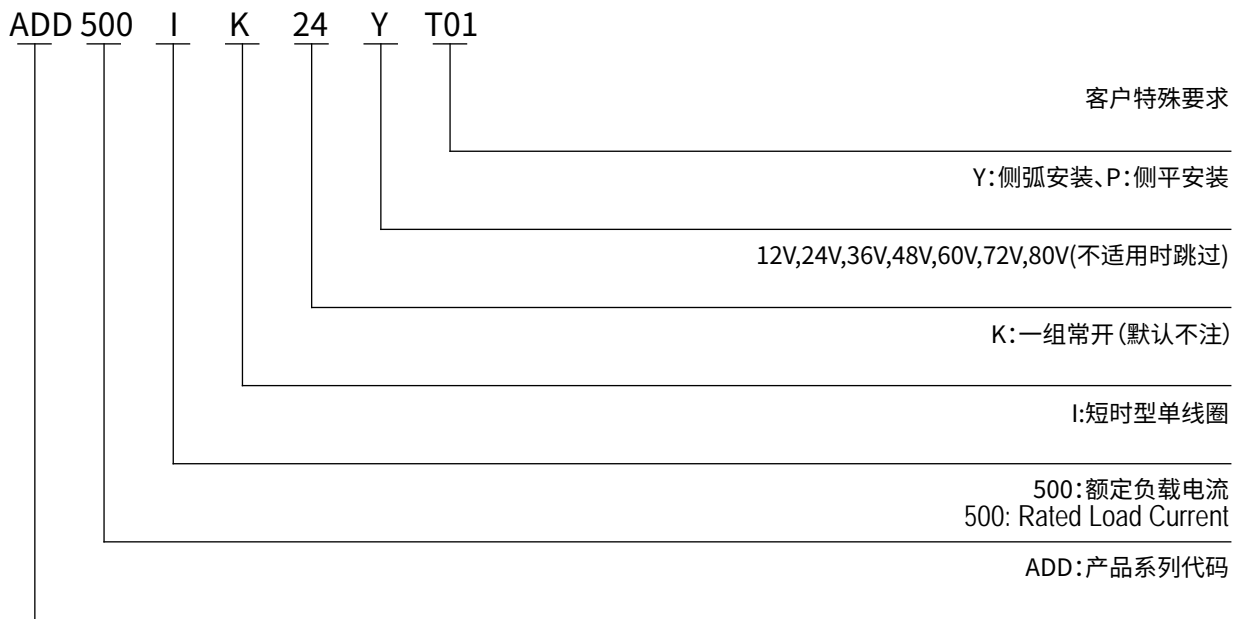
Performance Parameters at23

Contact Arrangement	#= /#@A fi		
	' _		
	*" _ H/Sf \$" " 3fi		
) \W #e	% _ e	
	ž&" p' '	% _ e	
	? *	' " : !!(" : ! #' " " H35!# _ [
	%ž Y!#" p\$" " : ! !#! \$	' " : !!(" : ! #' " " H35!# _ [
	' p+' D:	#" " ? # _ [
	** j' (j * (_ _	' " ? # _ [
	\$" " " " /\$&H% " 3fi	' " γ	
	(ž#" @ž_		
!	!		

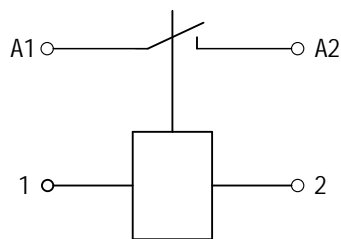
ADD500I ADD500I Coil Parameters

			Coil Resistance	Coil Power Consumption
#H)" . Ge	' . Z&" . Ge	#(f #"	+l f #"
\$&H)" . Ge	' . Z&" . Ge	(% f #"	+l f #"
%H)" . Ge	' . Z&" . Ge	#&& f #"	+l f #"
&*H)" . Ge	' . Z&" . Ge	\$(f #"	+l f #"
("H)" . Ge	' . Z&" . Ge	&" f #"	+l f #"
)\$H)" . Ge	' . Z&" . Ge	')(f #"	+l f #"

Model Coding



Wiring Diagram

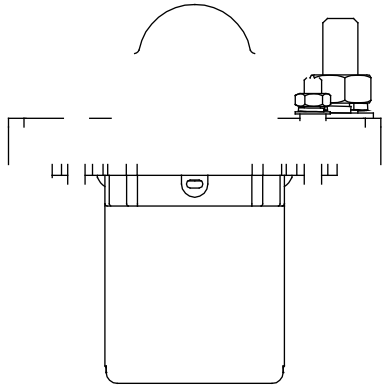


3#13\$
A1&A2 Main Terminals

#1\$
1&2 Coil Terminals

ADD500I
366' " " ; l [d' Y 6[SYdS_

Outline Installation Dimension Drawing

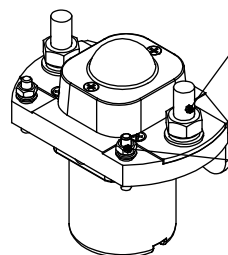
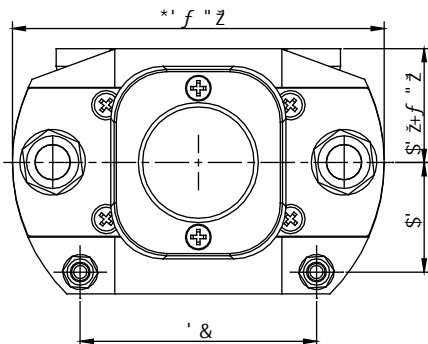
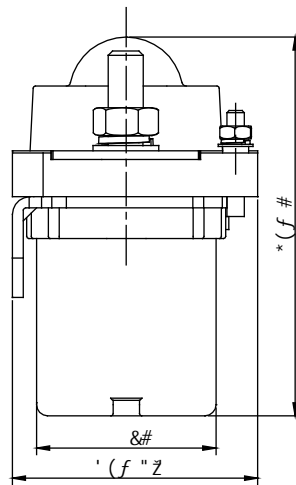
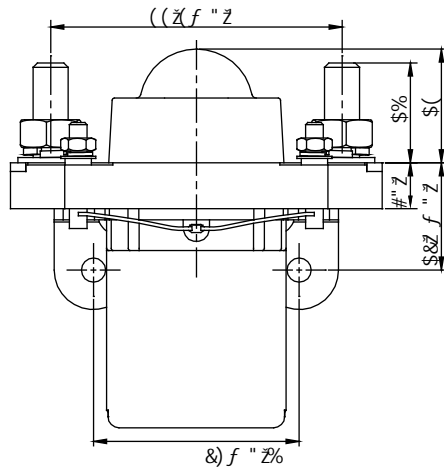


\$Z? *

(Ž# " @ž_ # \$Z' @ž_ ? Sj

\$Z? &

\$Z' @ž_ \$Z' @ž_ ? Sj



\$Z? *

(Ž# " @ž_ # \$Z' @ž_ ? Sj

\$Z? &

\$Z' @ž_ \$Z' @ž_ ? Sj

Usage Cautions

#ž

the samples provided by AOKAI and the corresponding signed and controlled specification.

\$ž

to obtain more technical support.

%ž

&ž

' ž

with thermal radiation. It is recommended to use it with a cooling fan.

(ž % U_

) ž

* ž

+ž

#" ž

tion device.

##ž

#\$ž

It is strictly prohibited to wiring when power on.