

特性
Features

#ž ' " 3 -
Continuous 50A load.

\$ž -
It has one set of normally open contacts.

%ž *| -

&ž # " " ? / # " " H65fi %ž] H-

' ž ; B ; ; B ' " -
IP protection level: IP50.

(ž ; 75 (" ((& ž # 94 ! F # & " & * ž # 94 ! F # & " & * ž & -

) ž Da: E \$ " # ' ! * (% 7 G D735: # + ") ! \$ " " (! 75 -

* ž 57 555 Da: E

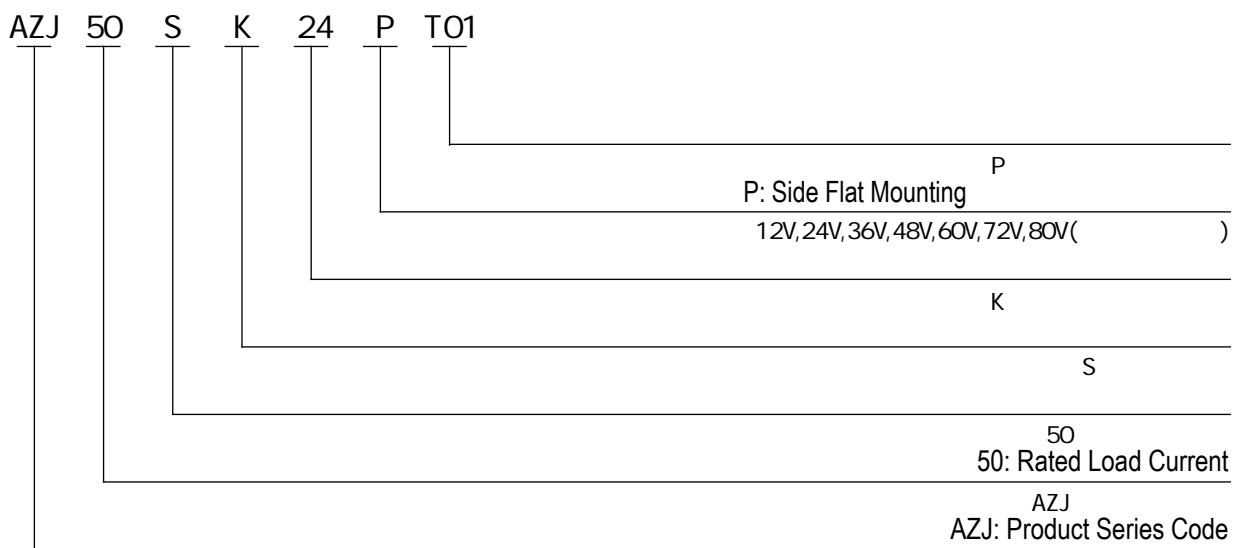
性能参数 (at23°C)
Performance Parameters (at23°C)

Contact Arrangement	# = / # @ A fi) " . Ge
Contact Resistance	" ž _	' . ž & " . Ge
	* " _ H / Sf ' " 3 fi	' _ e
Overload Current) W # e	% " _ e
Temperature	ž & " p * *	% " _ e
Load Terminal	? ' M5 External Thread	' " : ! ! (" : ! # ' " " H35 ! # _ [
	% ž Y ! # " p \$ " " : ! ! # ! \$	' " : ! ! (" : ! # ' " " H35 ! # _ [
Relative Humidity	' p + ' D:	# " " ? # _ [
	' (j % j ' * _ _	' " ? # _ [
	Continuous	\$ ž Y
/ fi	\$ " " "	' Y
	\$ ž % @ ž _	# " " " "
!	!	# ž \$ ž \$ ž ' @ ž _

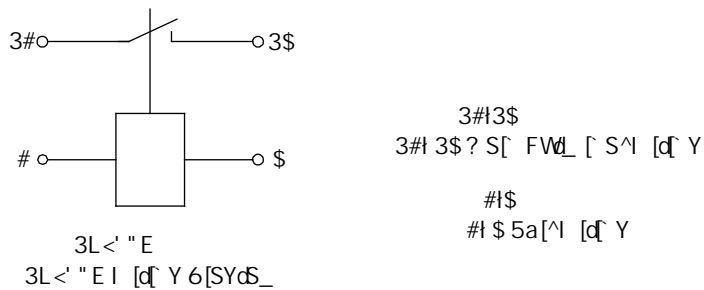
AZJ50S线圈参数 AZJ50S Coil Parameters

			Coil Resistance	Coil Power Consumption
#H)". Ge	' . Z&" . Ge	#* f ' .	* f ' .
\$&H)". Ge	' . Z&" . Ge)\$ f ' .	* f ' .
%H)". Ge	' . Z&" . Ge	#\$ f ' .	* f ' .
&*H)". Ge	' . Z&" . Ge	\$** f ' .	* f ' .
("H)". Ge	' . Z&" . Ge	&' " f ' .	* f ' .
)\$H)". Ge	' . Z&" . Ge	(&* f ' .	* f ' .

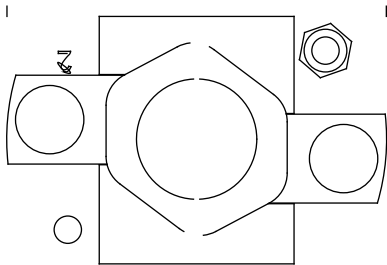
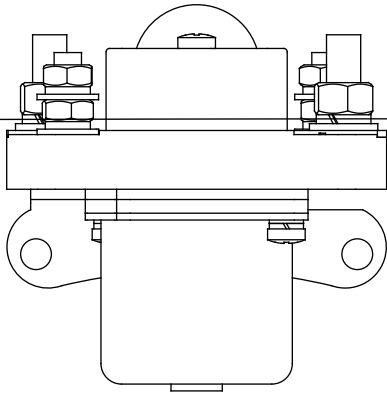
型号说明 Model Coding



接线原理图 Wiring Diagram



外形安装尺寸图
Outline Installation Dimension Drawing



\$Z? &
#z\$Z@z_ \$Z' @z_ ? Sj

\$Z? '
\$Z'@z_ %@z_ ? Sj

使用注意事项 Usage Cautions

#ž

the samples provided by AOKAI and the corresponding signed and controlled specification.

\$ž

to obtain more technical support.

%ž

&ž

' ž

with thermal radiation. It is recommended to use it with a cooling fan.

(ž % U_

) ž

* ž

+ž

#" ž

tion device.

##ž

#\$ž

It is strictly prohibited to wiring when power on.