

**Features**

1. 200A ;
2. ;
3. 9W;  
Coil power consumption 0.9W.
4. 100M (1000VDC) 3.5kV;  
The insulation resistance reaches 100M (1000VDC), and the withstand voltage between the contacts and the coil is 3.5kV.
5. IP :IP50;
6. IEC 60664-1 GB/T14048.1 GB/T14048.4 ;  
Compliant with IEC 60664-1, GB/T14048.1 and GB/T14048.4 requirements.
7. RoHS 2015/863/EU REACH 1907/2006/EC ;  
Compliant with RoHS (2015/863/EC) and REACH (1907/2006/EC) requirements.
8. CE CCC RoHS  
Safety certificate: CE, CCC, RoHS.

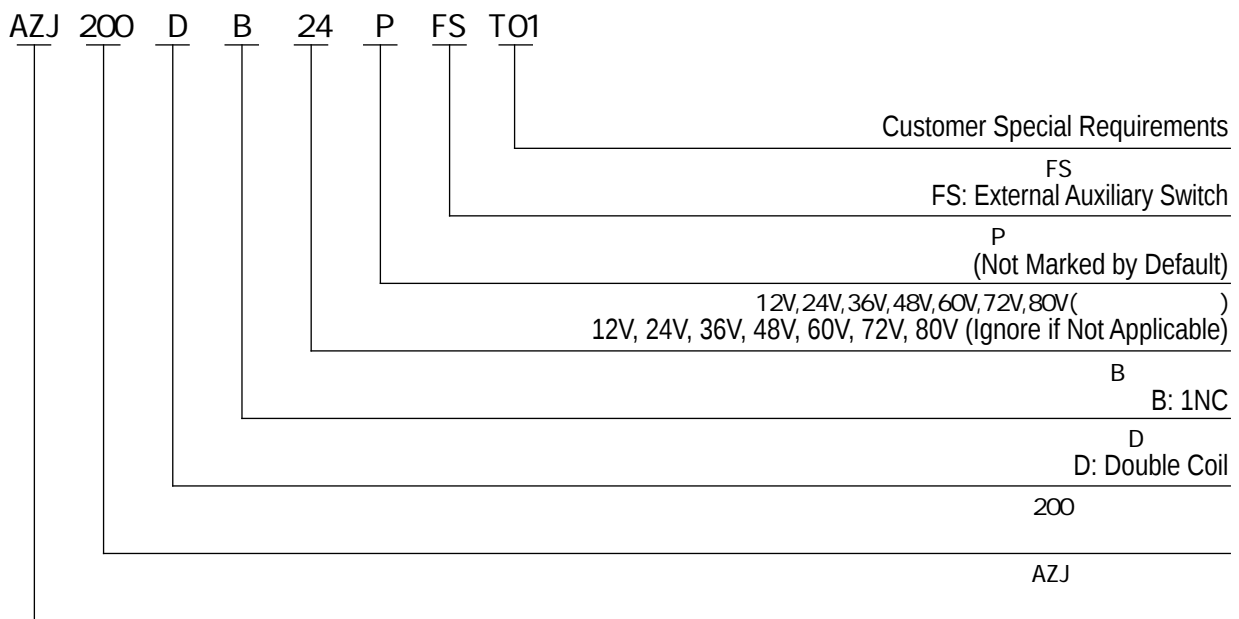
at23  
**Performance Parameters at23**

	1B (1NC)	Pickup Voltage	70% U <sub>s</sub>
	0.5m	Dropout Voltage	5% -40% U <sub>s</sub>
Contact Voltage Drop	80mV (at 200A)	Contact Bounce Period	5ms
	7le, 1s		30ms
	-40 ~85	Dropout Time	30ms
	M8 M8 External Thread	Dielectric Strength	Between Main Contacts 50Hz/60Hz 1500VAC/1min
Vibration	3.5g, 10~200Hz, 1/2 3.5g, 10~200Hz, 1/2 Sine Wave (Power On)		Between Main Contacts and Coil 50Hz/60Hz 1500VAC/1min
	5 ~95 RH		100M 1min
Dimension	85x56x86mm		50M 1min
Operating Duty			2.5g 2.5g (Power On)
Electrical Durability with Load (Resistive)	20000 0.20,000 Times		5g
Load Wiring Torque	6-10N.m	Mechanical Durability	100000 0.100,000 Times
/	/	Coil Wiring Torque	1.2-2.0N.m

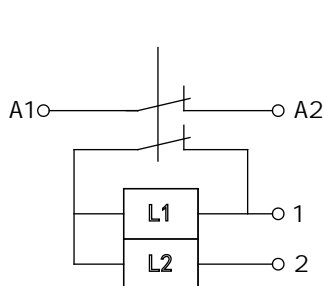
## AZJ 200DB AZJ200DB Coil Parameter

Coil Voltage	Pickup Voltage	Dropout Voltage				
12V	70% Us	5% -40% Us	0.8 ± 10%	28.8 ± 10%	180W± 10%	5W± 10%
24V	70% Us	5% -40% Us	3.2 ± 10%	115.2 ± 10%	180W± 10%	5W± 10%
36V	70% Us	5% -40% Us	7.2 ± 10%	259.2 ± 10%	180W± 10%	5W± 10%
48V	70% Us	5% -40% Us	12.5 ± 10%	450 ± 10%	180W± 10%	5W± 10%
60V	70% Us	5% -40% Us	20 ± 10%	720 ± 10%	180W± 10%	5W± 10%
72V	70% Us	5% -40% Us	28.8 ± 10%	1036.8 ± 10%	180W± 10%	5W± 10%

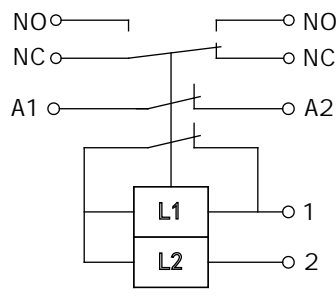
## Model Coding



## Wiring Diagram



Wiring Diagram Without Auxiliary Switch



Wiring Diagram with Auxiliary Switch

NC  
NC Auxiliary Switch Normally Closed Contact

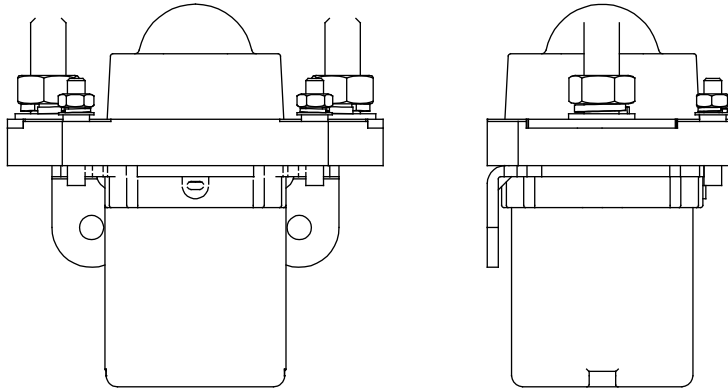
NO  
NO Auxiliary Switch Normally Open Contact

A1, A2  
A1, A2 Main Terminal Wiring

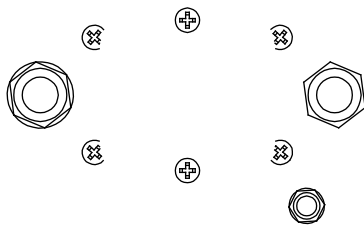
1, 2 12-72V  
1, 2 Coil Wiring 12-72V

# Outline Installation Dimension Drawing

## Without Auxiliary Switch



Mounting Hole Distance 4700.5



2-M8  
Load Wiring 2-M8  
6-10N.m 12N.m Max  
Torque 6-10N.m 12N.m Max

2-M4  
Load Wiring 2-M4  
1.2-2N.m 2.0N.m Max  
Torque 1.2-2N.m 2.0N.m Max

## With Auxiliary Switch

## Usage Cautions

1.

This document is only for customer selection reference, AOKAI has tried the best to ensure the accuracy of the information in this document. Product specifications and parameters may be changed due to product improvement etc., they may be inconsistent because of not updated in time. For the specific parameters and performance of each product, please refer to the samples provided by AOKAI and the corresponding signed and controlled specification.

2.

Regarding the application of this product, please select the matching product according to your specific use conditions and environmental requirements when selecting the product. If the requirements are not clearly specified, please contact AOKAI

3.

When installing and using this product, regardless of wiring or fixed installation, it is required to use anti-loose spring washers.

4.

The torque for installing fasteners should be within the standard range required by this specification. It may cause the unstable installation or damaging the product if the torque is lower than the minimum torque or higher than the maximum torque.

5.

Do not install the contactor in places with strong magnetic fields (such as transformers or strong magnets), or close to objects

6.

30cm

It is forbidden to use the product that have been dropped from a high place (height $\geq$ 30cm).

7.

It is forbidden to use the product in an environment with oil pollution, especially before wiring, it will seriously affect the main terminals conductivity if they are polluted by oil pollution, and affect the product life.

8.

It is forbidden to use the product beyond the rated electrical life. When the rated electrical life is reached, although the product can continue to work, there is a risk of failure, explosion, and burning because of non-breaking.

9.

This product cannot be used as a protector, and the circuit must be connected with a protector in series when using.

10.

AOKAI only does the resistive electrical life verification and quality assurance. When the product is used in an environment with inductive load or capacitive load, it is recommended that the circuit should be connected in parallel with a surge protec

11.

After continuous work, restarting immediately after disconnection will affect the pull-in voltage because the product is in a hot state, and the pull-in voltage will increase, which is a reasonable phenomenon.

12.