

Features

1. 600A ;
0 0
2. ;
00 0 0 0 0 0 0

at23
Performance Parameters at23

0	1K (1NO)	
	0.5m	
	80mV (at 600A)	
	6le, 1s	50ms
	-40 ~85	45ms
	M12	50Hz/60Hz 1500VAC/1min
	3.5g,10~200Hz,1/2	50Hz/60Hz 1500VAC/1min
	5 ~95 RH	100M 1min
	130x80x117mm	50M 1min
	20000	5g
	15-20N.m	
/	/	

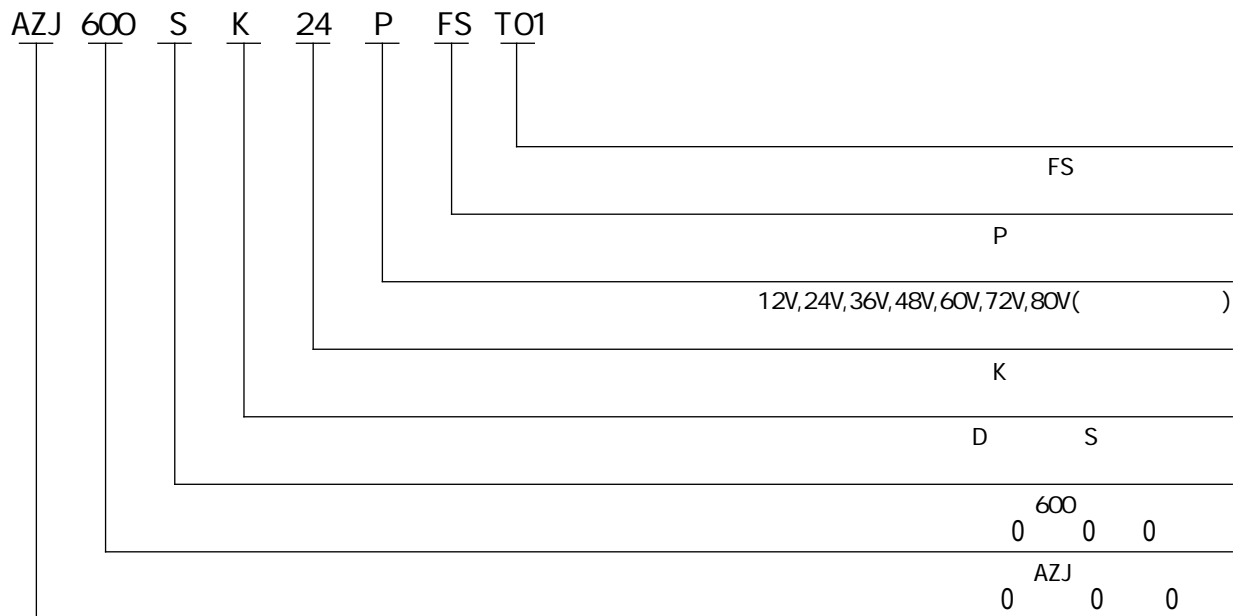
AZJ 600S AZJ600S Coil Parameters

			0	0 0
12V	70% Us	5% -40% Us	13 ± 10%	11W± 10%
24V	70% Us	5% -40% Us	52.5 ± 10%	11W± 10%
36V	70% Us	5% -40% Us	118 ± 10%	11W± 10%
48V	70% Us	5% -40% Us	210 ± 10%	11W± 10%
60V	70% Us	5% -40% Us	327 ± 10%	11W± 10%
72V	70% Us	5% -40% Us	470 ± 10%	11W± 10%

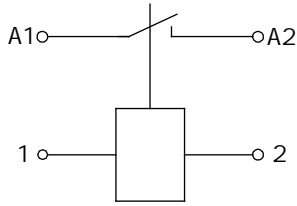
AZJ 600D AZJ600D Coil Parameters

			0		0	0
12V	70% Us	5% -40% Us	1.9 ± 10%	24 ± 10%	75W± 10%	6W± 10%
24V	70% Us	5% -40% Us	7.5 ± 10%	96 ± 10%	75W± 10%	6W± 10%
36V	70% Us	5% -40% Us	17.5 ± 10%	216 ± 10%	75W± 10%	6W± 10%
48V	70% Us	5% -40% Us	31 ± 10%	384 ± 10%	75W± 10%	6W± 10%
60V	70% Us	5% -40% Us	48 ± 10%	400 ± 10%	75W± 10%	6W± 10%
72V	70% Us	5% -40% Us	68 ± 10%	860 ± 10%	75W± 10%	6W± 10%

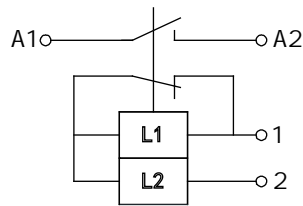
Model Coding



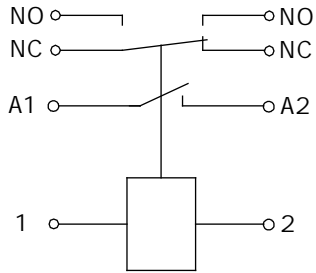
Wiring Diagram



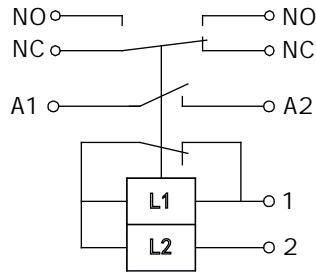
AZJ600S()
AZJ600S Wiring Diagram
Without Auxiliary Switch



AZJ600D()
AZJ600D Wiring Diagram
Without Auxiliary Switch



AZJ600S()
AZJ600S Wiring Diagram
with Auxiliary Switch



AZJ600D()
AZJ600D Wiring Diagram
with Auxiliary Switch

NC
NC Auxiliary Switch Normally
Closed Contact

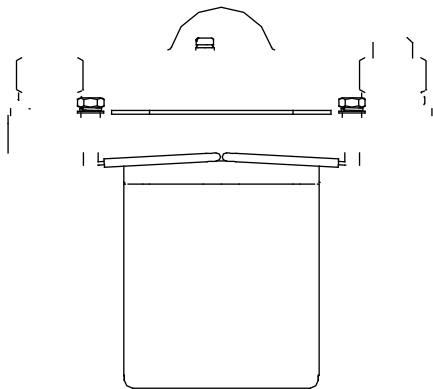
NO
NO Auxiliary Switch Normally
Open Contact

A1,A2
A1, A2 Main Terminal Wiring

1,2 12-72V
1, 2 Coil Wiring 12-72V

Outline Installation Dimension Drawing

Without Auxiliary Switch



2-M12

15-20N.m

2-M4

1.2-2N.m 2.0N.m Max

Outline Installation Dimension Drawing

Usage Cautions

1.

0 0 0 0 0 0 0 0 0 0

2.

0 0 0 0

3.

4.

5.

0 0 0 0 0 0 0 0

6.

30cm

7.

8.

9.

10.

0

11.

12.

0 0 0 0 0 0