

Features

- IP67 ;
Using ceramic brazing technology, the contact part is filled with mainly hydrogen gas to effectively prevent contact oxidation and burnout. The contact resistance is low and stable, and the contact part can meet the IP67 protection grade.
- 200A 85 ;
200A 85°C long time current carrying capacity.
- 100M 1000VDC 4kV;
The insulation resistance reaches 100M_Ω (1,000VDC), and the withstand voltage between the contact and the coil is 4kV.
- IEC 60664-1 GB/T14048.1 GB/T14048.4 ;
Compliant with IEC 60664-1, GB/T14048.1 and GB/T14048.4 requirements.
- RoHS 2015/863/EU REACH 1907/2006/EC ;
Compliant with RoHS (2015/863/EC) and REACH (1907/2006/EC) requirements.
- CE RoHS
Safety certificate: CE, RoHS.

Main Contact Specification

Contact Arrangement	1K (1NO)
Contact Polarity	Polarity
Contact Resistance	0.5mΩ (at 200A)
Max. Switching Voltage	750VDC
Max. Breaking Current	2000A (320VDC) 1 (Ops)
Electrical Endurance	6,000 (Ops) (450VDC, 200A)
	1,000 (Ops) (750VDC, 200A)
Mechanical Endurance	200,000 (Ops)
Withstand Current	200A 200A, Continuous
	300A, 60min
	400A, 20min
	800A, 30S
	2,000A, 0.6S
Dimension	105x45x88.5mm

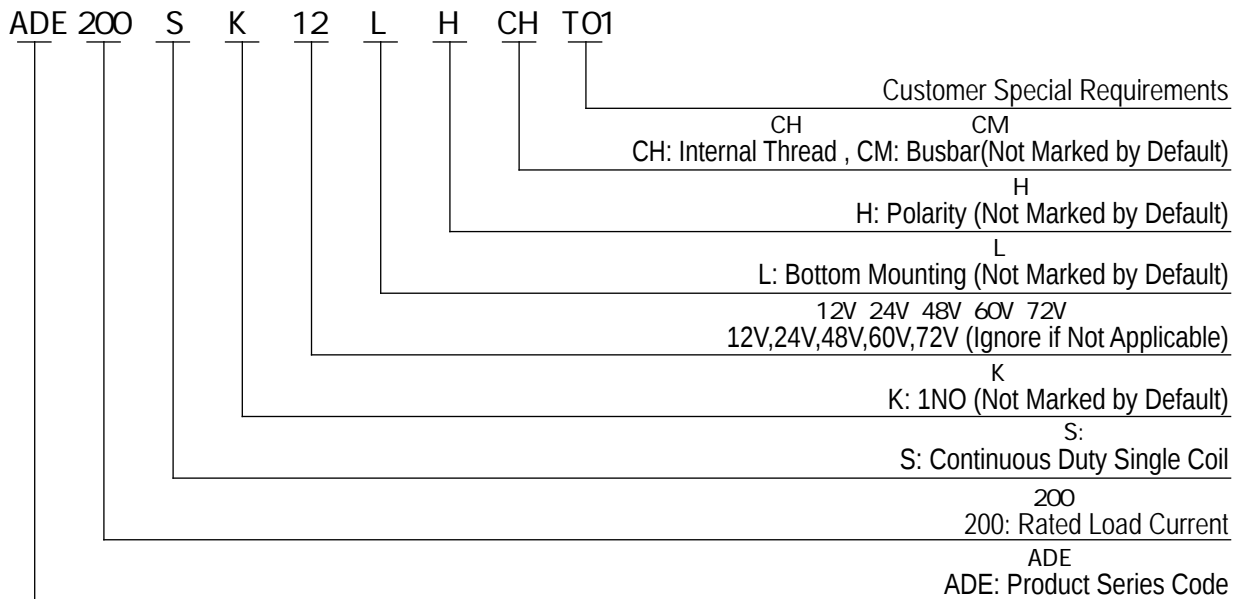
Performance Parameter (at 23°C)

Pickup Voltage	75% Us
	8% Us
	30ms
	5ms
	10ms
	3,000VDC 1min
	2,500VDC 1min
	100M 1min
	50M 1min
	50g

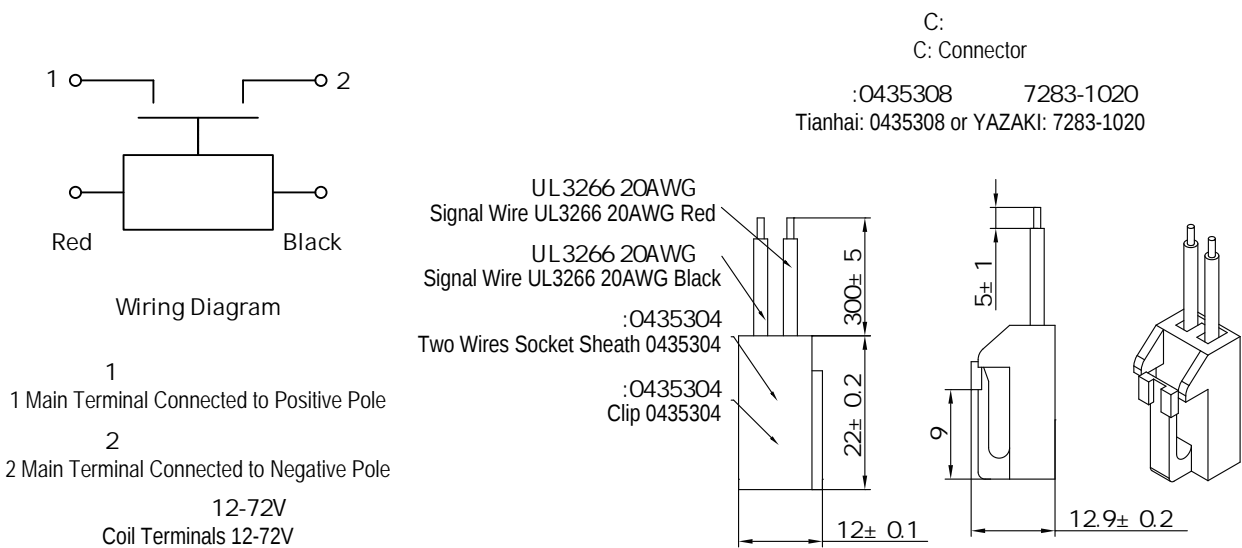
ADE 200 ADE200 Coil Parameter

Coil Voltage	Pickup Voltage VDC	Dropout Voltage VDC	Coil Resistance		Starting Power	Holding Power
			Starting	Holding		
12V	75% Us	8% Us	4.1 ± 10%	32 ± 10%	35W± 10% (0.2S Switch On)	4.5W± 10%
24V	75% Us	8% Us	16.4 ± 10%	127.6 ± 10%	35W± 10% (0.2S Switch On)	4.5W± 10%
48V	75% Us	8% Us	65.8 ± 10%	512 ± 10%	35W± 10% (0.2S Switch On)	4.5W± 10%
60V	75% Us	8% Us	102.9 ± 10%	800 ± 10%	35W± 10% (0.2S Switch On)	4.5W± 10%
72V	75% Us	8% Us	148.1 ± 10%	1,152 ± 10%	35W± 10% (0.2S Switch On)	4.5W± 10%

Model Coding

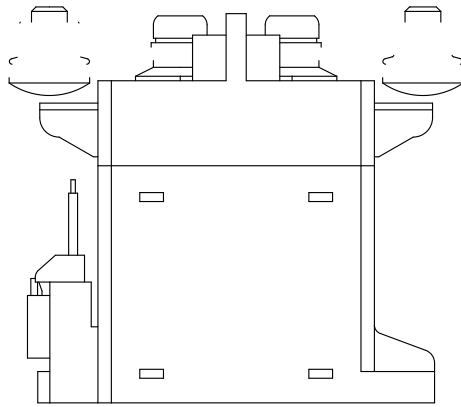


Wiring Diagram



Note: The product main contact "1+" which is marked near the bolt is connected to the load "+" terminal, and "2-" is connected to the load "-" terminal.

Outline Installation Dimension Drawing



Usage Cautions

1.

This document is only for customer selection reference, AOKAI has tried the best to ensure the accuracy of the information in this document. Product specifications and parameters may be changed due to product improvement etc., they may be inconsistent because of not updated in time. For the specific parameters and performance of each product, please refer to the samples provided by AOKAI and the corresponding signed and controlled specification.

2.

Regarding the application of this product, please select the matching product according to your specific use conditions and environmental requirements when selecting the product. If the requirements are not clearly specified, please contact AOKAI to obtain more technical support.

3.

When installing and using this product, regardless of wiring or fixed installation, it is required to use anti-loose spring washers.

4.

The torque for installing fasteners should be within the standard range required by this specification. It may cause the unstable installation or damaging the product if the torque is lower than the minimum torque or higher than the maximum torque.

5.

Do not install the contactor in places with strong magnetic fields (such as transformers or strong magnets), or close to objects with thermal radiation. It is recommended to use it with a cooling fan.

6.

30cm

It is forbidden to use the product that have been dropped from a high place (height \geq 30cm).

7.

It is forbidden to use the product in an environment with oil pollution, especially before wiring, it will seriously affect the main terminals conductivity if they are polluted by oil pollution, and affect the product life.

8.

It is forbidden to use the product beyond the rated electrical life. When the rated electrical life is reached, although the product can continue to work, there is a risk of failure, explosion, and burning because of non-breaking.

9.

This product cannot be used as a protector, and the circuit must be connected with a protector in series when using.

10.

AOKAI only does the resistive electrical life verification and quality assurance. When the product is used in an environment with inductive load or capacitive load, it is recommended that the circuit should be connected in parallel with a surge protection device.

11.

After continuous work, restarting immediately after disconnection will affect the pull-in voltage because the product is in a hot state, and the pull-in voltage will increase, which is a reasonable phenomenon.

12.

It is strictly prohibited to wiring when power on.