



Features

1. 100A ;
2. ;
3. 15W;
4. 100M (1000VDC) 1kV;
5. IP :IP40;
6. IEC 60664-1 GB/T14048.1 GB/T14048.4 ;
7. RoHS 2015/863/EU REACH 1907/2006/EC ;
8. CE RoHS;

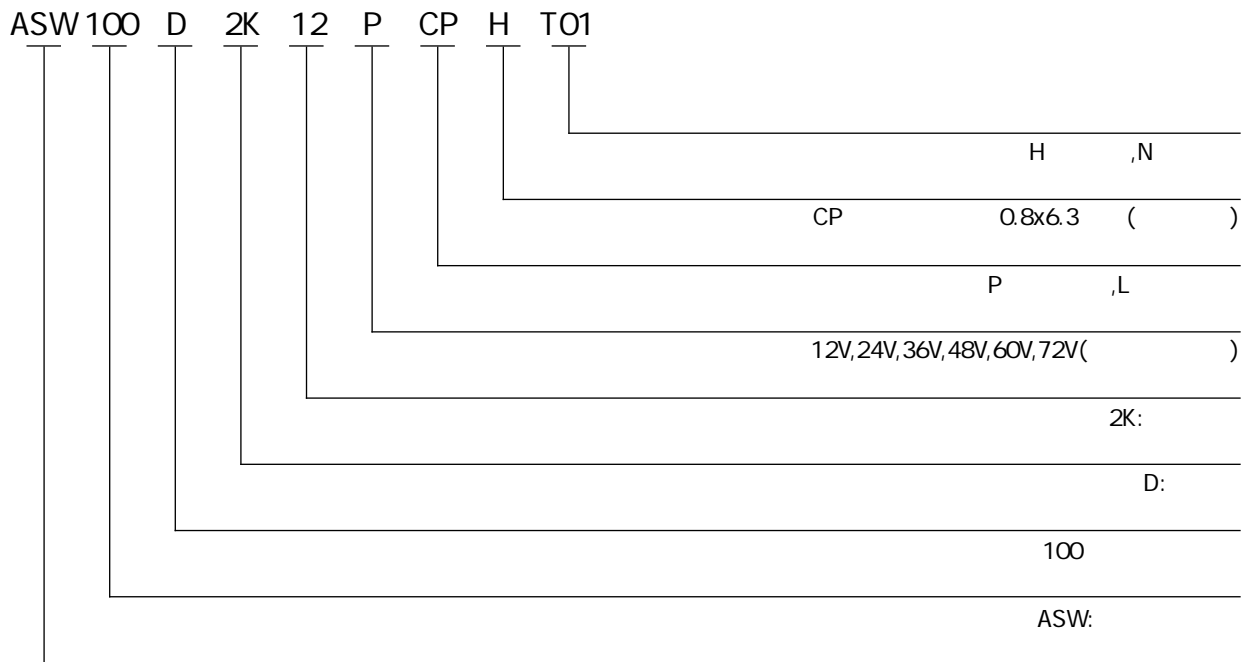
at23
Performance Parameters at23

2K 2NO		70% Us
0.5m		10% Us
80mV(at 100A)		5ms
7le, 1s		30ms
-40 ~-65		30ms
M8		50Hz/60Hz 1000VAC/1min
3.5g,10~200Hz,1/2		50Hz/60Hz 1000VAC/1min
20 ~90 RH		100M 1min
48x42x89mm		50M 1min
		60-100) / 4g
()	6000	100000
	4-5N.m	6.3x0.8

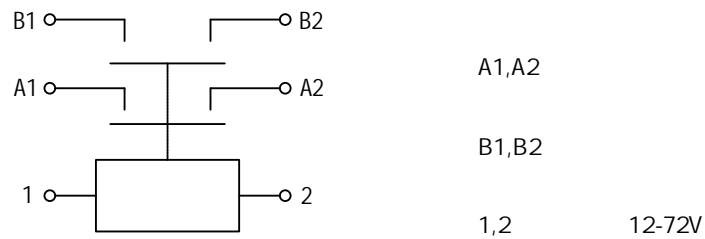
ASW100-2K ASW100-2K Coil Parameter

12V	70% Us	10% Us	1A	7 15W
24V	70% Us	10% Us	0.6A	7 15W
36V	70% Us	10% Us	0.6A	7 15W
48V	70% Us	10% Us	0.5A	7 15W
60V	70% Us	10% Us	0.3A	7 15W
72V	70% Us	10% Us	0.25A	7 15W

Model Coding



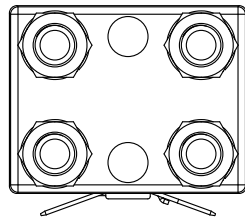
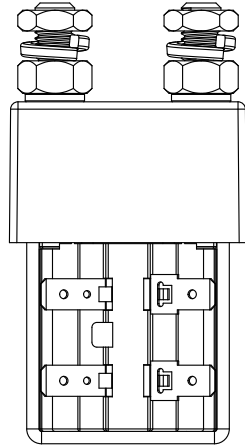
Wiring Diagram



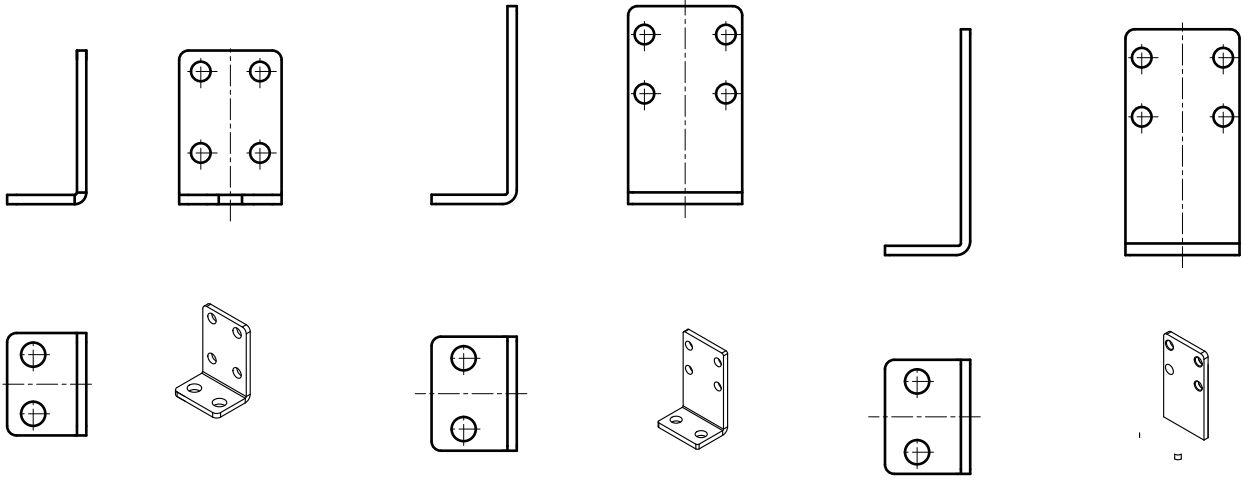
Wiring Diagram

Outline Installation Dimension Drawing

ASW100-2K()
ASW100-2K (Without Bracket)



Outline Installation Dimension Drawing



L(卧型) 安装支架
L (Horizontal) Mounting Bracket

L(立型) 安装支架1
L (Vertical) Mounting Bracket 1

L(立型) 安装支架2
L (Vertical) Mounting Bracket 2

侧弧安装支架
Side Cambered Mounting Bracket

W型安装支架
W Mounting Bracket

Usage Cautions

1.

2.

3.

4.

5.

6. 30cm

7.

8.

9.

10.

11.

12.

13.

14.